

Clever & Smart







Product Basic

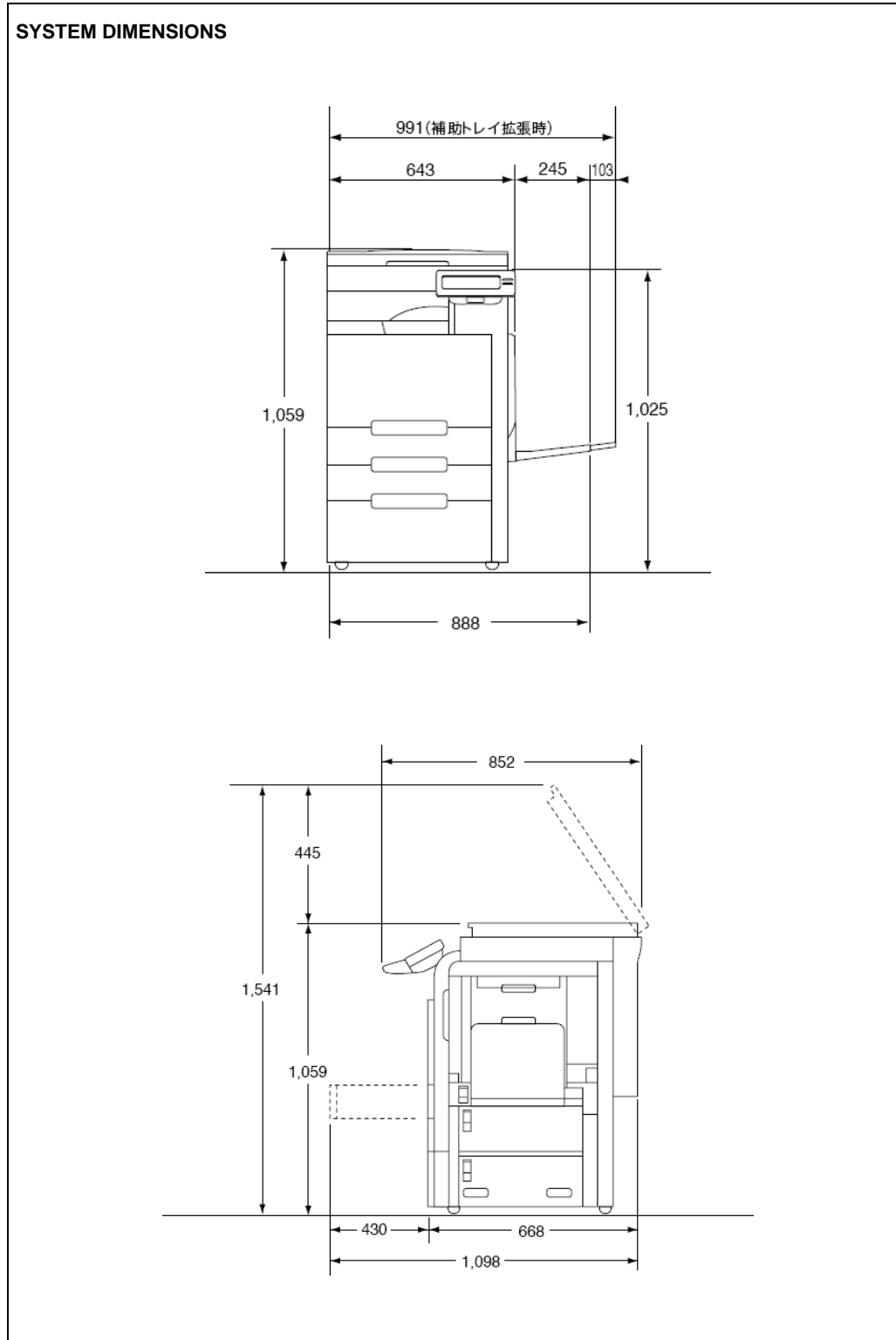
MODEL DEVELOPMENT CODE	Thames 1 (P)	Thames 2	Thames 2.5	Product Basic
PROPOSED MODEL NAME	bizhub C353 (P)	bizhub C253	bizhub C203	Product Configuration
SUCCESSOR MODEL FOR	bizhub C352 (P)	bizhub C300	bizhub C252	System Specifications
ESTIMATED SALES START	09/07 12/07 (C353P)	09/07	09/07	Copier Specifications
INFOSOURCE SEGMENT	III	III	II	Printer Specifications
ALSO AVAILABLE AS	Develop ineo + 353 (P)	Develop ineo + 253	Develop ineo + 203	Scanner Specifications
TYPE	Console/Stationary Platen			Fax Specifications
BT SPECIFIED average MONTHLY PAGE VOLUMES	7.0 k prints	4.3 k prints	3.0 prints	Consumables
BEU SPECIFIED MONTHLY PAGE VOLUMES	Max. 60 k prints	Max. 45 k prints	Max. 35 k prints	Article Numbers
	Aver. 40 k prints	Aver. 30 k prints	Aver. 25 k prints	Installation
EXPECTED MONTHLY PAGE VOLUME	Color: 1.4 K prints Printer: 2 K prints	Color: 0.9 k prints	Color: 0.6 prints	Maintenance
	Mono: 5.6 k prints Printer: 2 k prints	Mono: 3.4 k prints	Mono: 2.4 k prints	Spare Parts
MACHINE LIFE (what ever comes 1st)	1.5 Mill. prints or 5 years	1.0 Mill. prints or 5 years	800 k prints or 5 years	Recommended Media
MCBF (Mean Copies Between Failure)	Total: 47.4 k Printer: 30.0 k	Total: 38.0 k	Total: 31 k	Appendix
	Color: 31.3 k Printer: 23.7 k	Color: 25.1 k	Color: 20.5 k	
	Mono: 54.4 k Printer: 41.1 k	Mono: 43.6 k	Mono: 35.6 k	
MCBJ (Mean Copies Between Jam)	10 k or more (Standard Paper 90 g/m ²)			
MTTR (Mean Time To Repair)	65 min.			
STANDARD COPY MODE	Full Colour Print	4 pages / job	3 pages / job	2 pages / job
	Monochrome Print	4 pages / job	3 pages / job	2 pages / job
STANDARD ORIGINAL DENSITY	Full Colour Print (Y, M, C, K)	5 %	5 %	5 %
	Monochrome Print	5 %	5 %	5 %



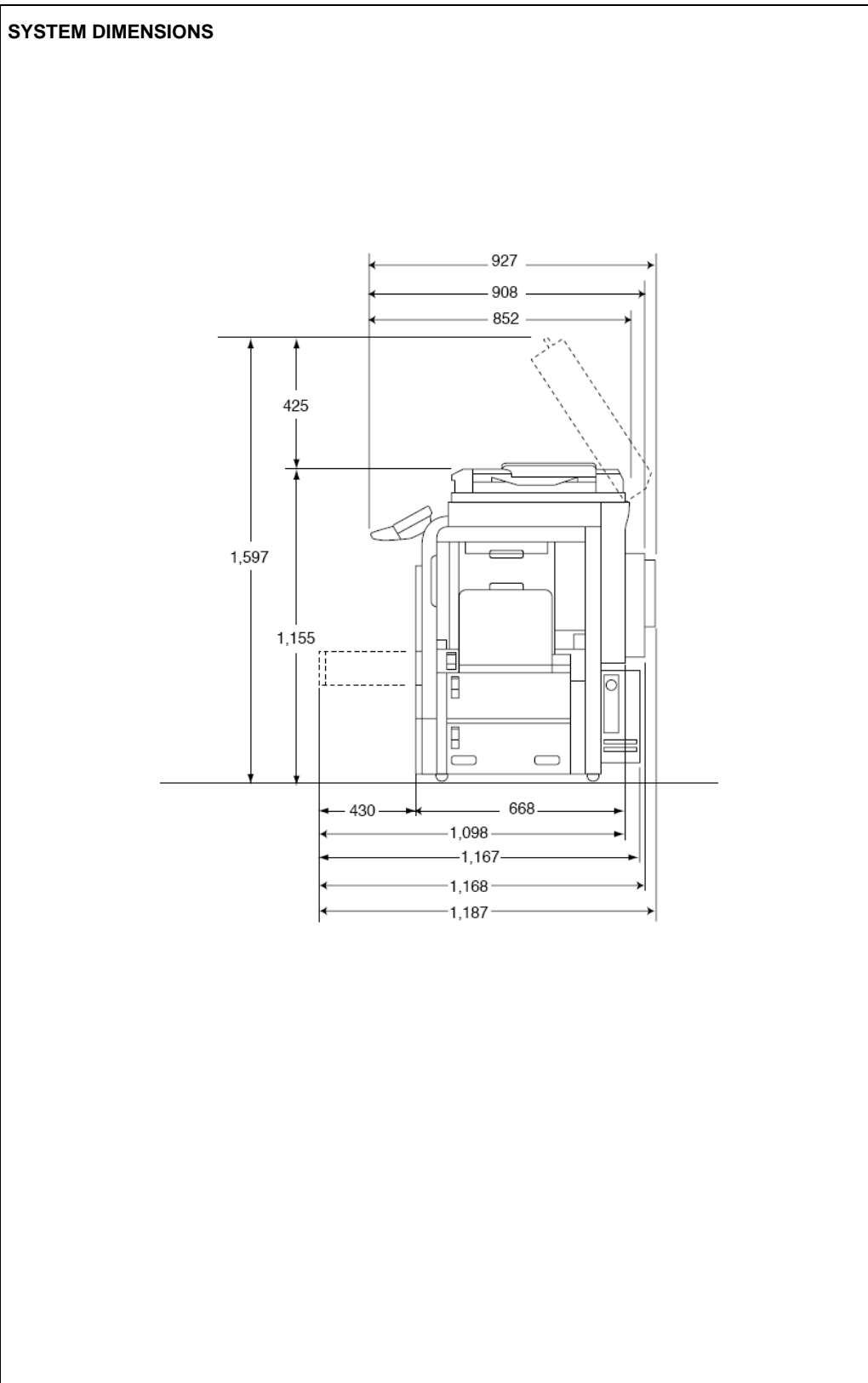
SAFETY & ENVIRONMENT	InfoHub / Business Solutions / Safety and Environment http://partner.konicaminolta.de	Product Basic
English Data Sheets		Product Configuration
German Data Sheets		System Specifications
<p>PLEASE NOTICE</p> <p>1. The values named under “Expected Monthly Page Volume” are only for service evaluation and calculation. They have to direct relation to possible machine volumes!</p>		Copier Specifications
		Printer Specifications
		Scanner Specifications
		Fax Specifications
		Consumables
		Article Numbers
		Installation
		Maintenance
		Spare Parts
Recommended Media		
Appendix		



Product Configuration



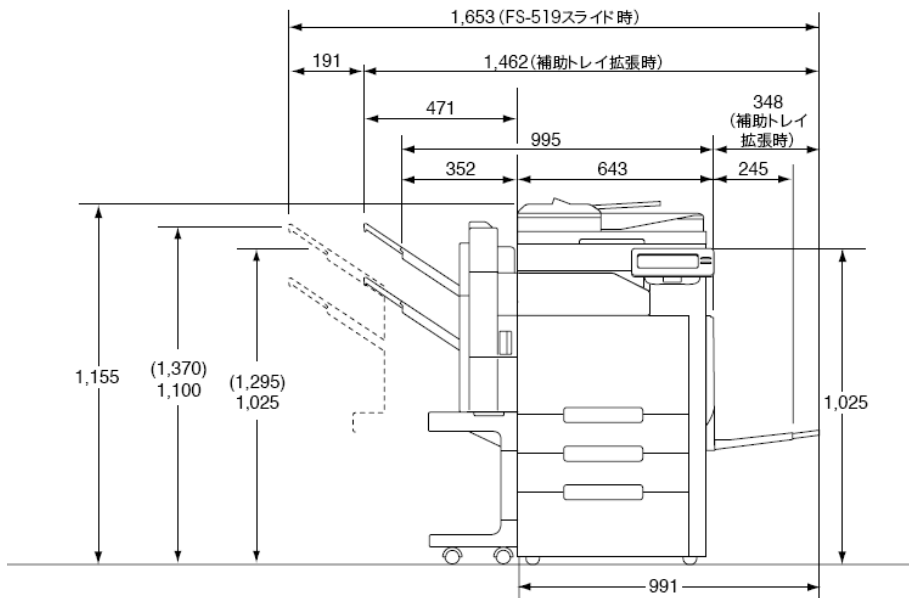
Product Basic
Product Configuration
System Specifications
Copier Specifications
Printer Specifications
Scanner Specifications
Fax Specifications
Consumables
Article Numbers
Installation
Maintenance
Spare Parts
Recommended Media
Appendix



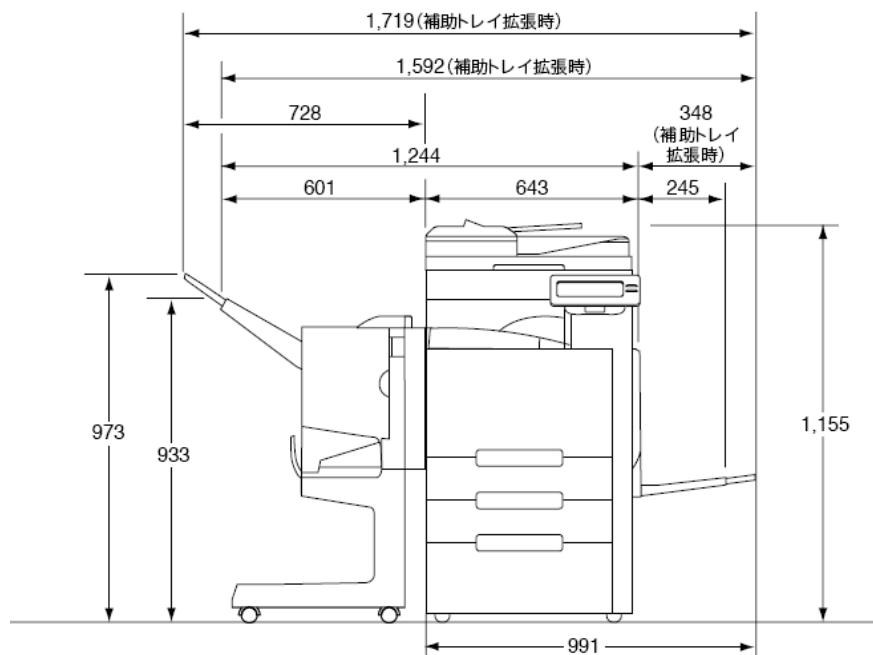
Product Basic
Product Configuration
System Specifications
Copier Specifications
Printer Specifications
Scanner Specifications
Fax Specifications
Consumables
Article Numbers
Installation
Maintenance
Spare Parts
Recommended Media
Appendix



SYSTEM DIMENSIONS



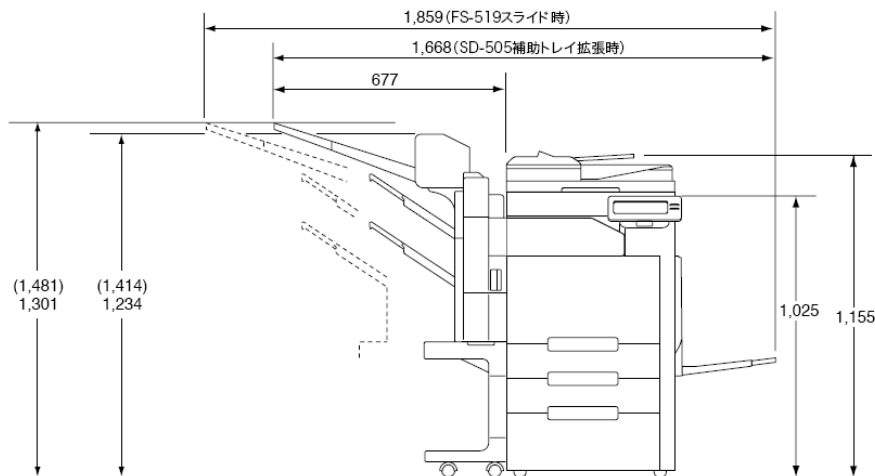
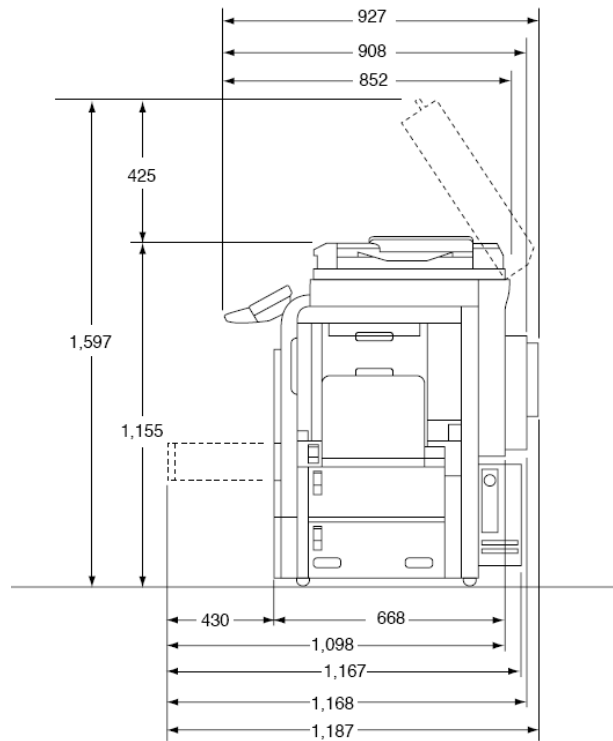
*()内の寸法は、FS-519上移動時の最大値です。



Product Basic
Product Configuration
System Specifications
Copier Specifications
Printer Specifications
Scanner Specifications
Fax Specifications
Consumables
Article Numbers
Installation
Maintenance
Spare Parts
Recommended Media
Appendix

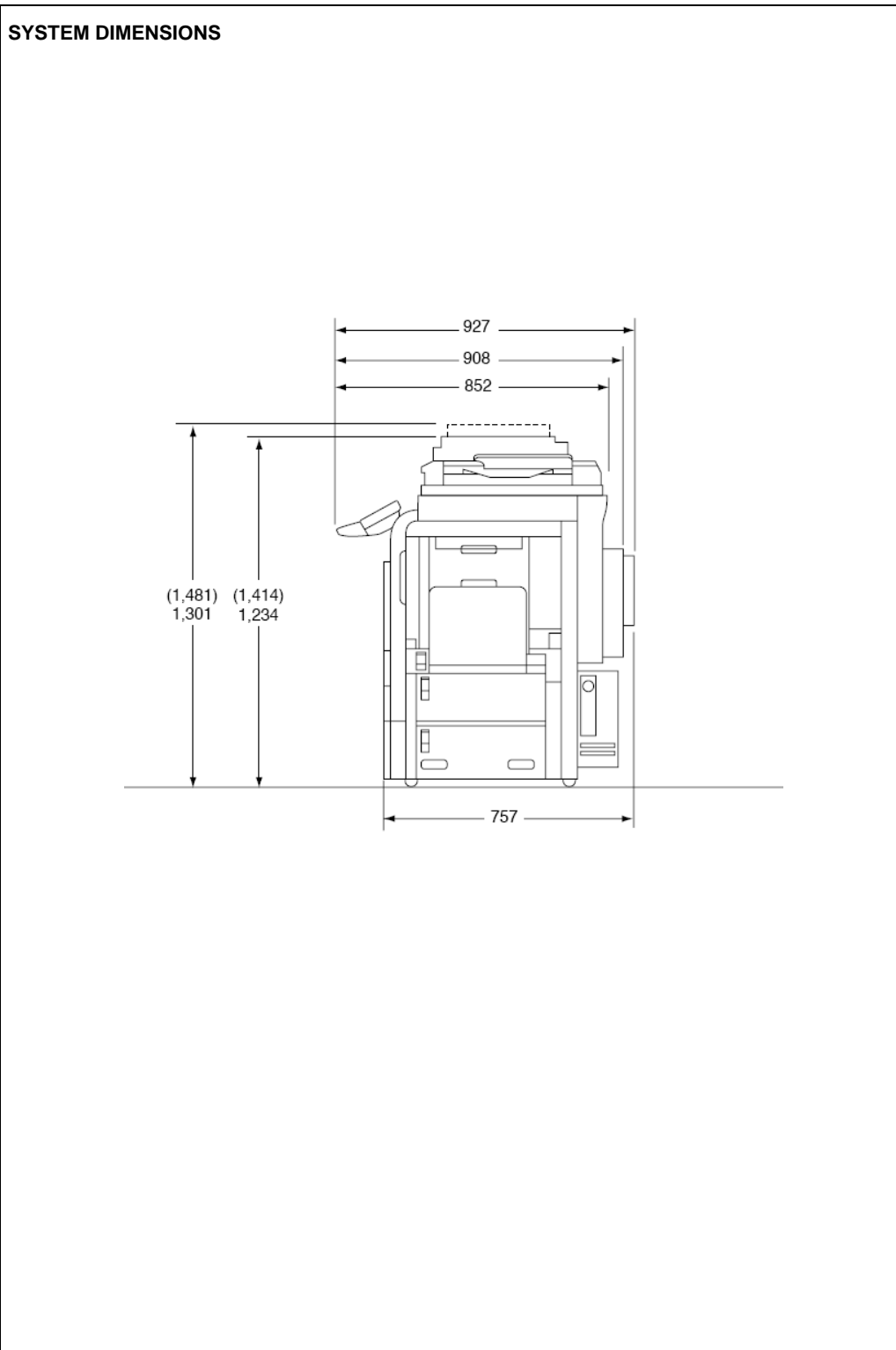


SYSTEM DIMENSIONS

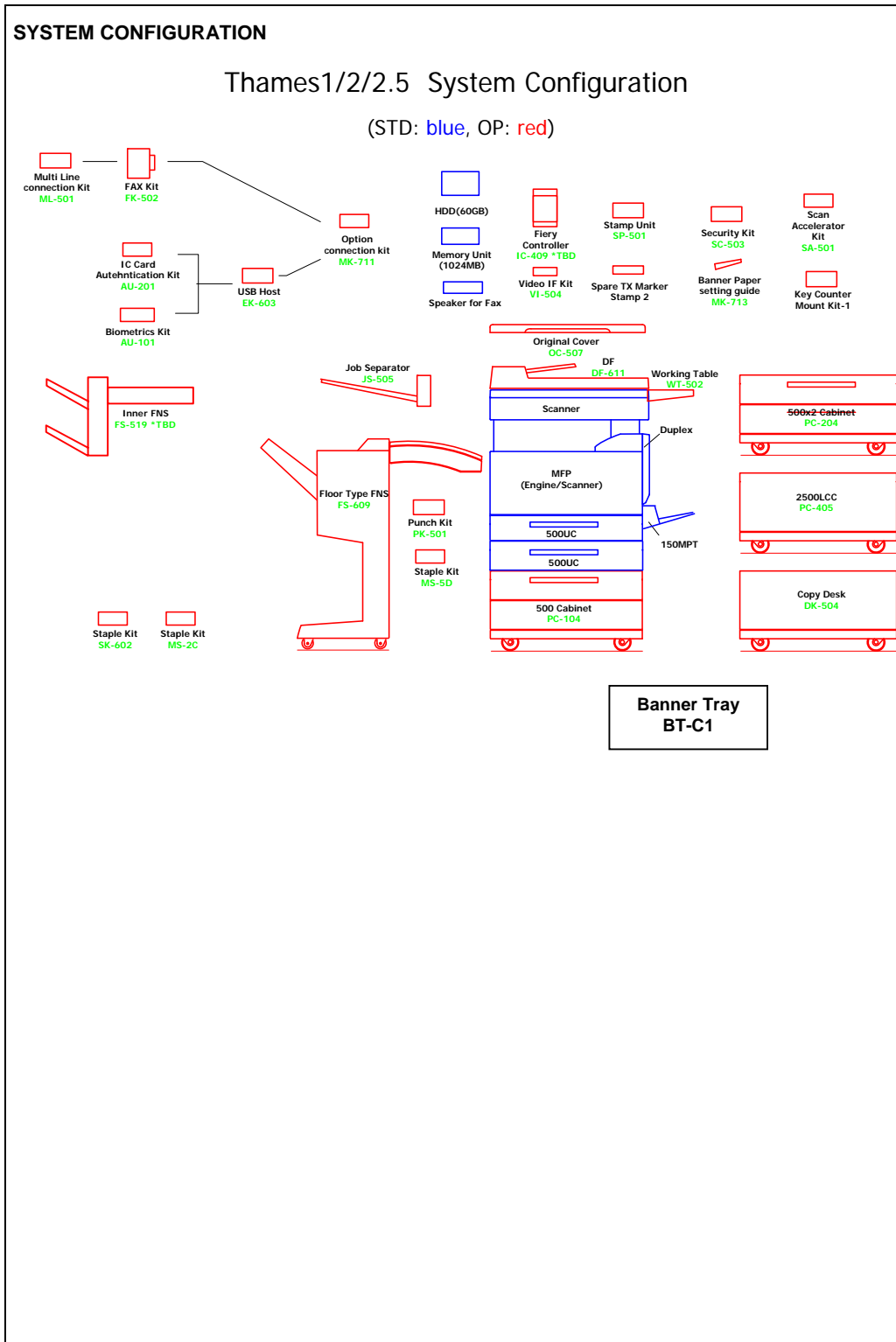


FS-519上移動時の最大値です。

Product Basic
Product Configuration
System Specifications
Copier Specifications
Printer Specifications
Scanner Specifications
Fax Specifications
Consumables
Article Numbers
Installation
Maintenance
Spare Parts
Recommended Media
Appendix



Product Basic
Product Configuration
System Specifications
Copier Specifications
Printer Specifications
Scanner Specifications
Fax Specifications
Consumables
Article Numbers
Installation
Maintenance
Spare Parts
Recommended Media
Appendix



Product Basic
Product Configuration
System Specifications
Copier Specifications
Printer Specifications
Scanner Specifications
Fax Specifications
Consumables
Article Numbers
Installation
Maintenance
Spare Parts
Recommended Media
Appendix



System Specifications

Document Feeder DF-611		Option	Product Basic
Original Size	min. 100 x 148 mm/ max. A3 in Fax Mode max length 1,000 mm		Product Configuration
Original Weight	35 - 210 g/m ² (Simplex) / 50 - 128 g/m ² (Duplex) 50 - 128 g/m ² Mix Mode		System Specifications
Tray Capacity	100 sheets (80g/m ² , A4)		Copier Specifications
Feeding Type	First Page System		Printer Specifications
Feeding Speed	Simplex Mode: 70 sheets (300 dpi), 55 sheets (600 dpi) Duplex Mode: 44 sheets (600 dpi)		Scanner Specifications
Dimensions (WxDxH) mm	618 x 575 x 130		Fax Specifications
Weight (kg)	16		Consumables
Remark	Not available for bizhub C353P		Article Numbers
Original Cover		Option	Installation
Remark	Required if no DF-611 is used Not available for bizhub C353P		Maintenance
Paper Cassettes		Standard	Spare Parts
Capacity	1 Tray: 500 sheets (up to A3) 2 Tray: 500 sheets (up to A3+ [311 x 457 mm])		Recommended Media
Paper Format	A5 crosswise - A3+ (max. 311 x 457 mm) (width: 130 - 311 mm, length: 148 - 457 mm)		Appendix
Paper Weight	1 - 2 Tray: 64 - 256 g/m ²		
Max. Paper Capacity	3,650 sheets incl. bypass and optional cassettes		
Bypass		Standard	
Capacity	150-sheet bypass		
Paper Format	A5 lengthwise - A3+ (max. 311 x 457 mm), Long Length Paper (Banner 297 x 1200 mm)		
Paper Weight	64 - 271 g/m ² (OHP, labels, etc.)		
Banner Tray BT-C1		Option	
Function	Banner paper (multi) feeding support		
Capacity	30 sheets		
Duplex		Standard	
Capacity	stackless		
Paper Format	A5 - A3+		
Paper Weight	64 - 256 g/m ²		



<p>Paper Feed Cabinet PC-104</p> <p>Paper Size: A5 to A3</p> <p>Paper Weight: 64 – 256 g/m²</p> <p>Paper Capacity: 500 sheets (80 g/m²)</p> <p>Media Type: Plain Paper</p> <p>Dimensions (WxDxH) (mm): 578 x 600 x 301</p> <p>Weight (kg): 24</p>	<p>Option</p>	<p>Product Basic</p>
<p>Paper Feed Cabinet PC-204</p> <p>Paper Size: A5 to A3</p> <p>Paper Weight: 64 – 256 g/m²</p> <p>Paper Capacity: 2 x 500 sheets (80 g/m²)</p> <p>Media Type: Plain Paper</p> <p>Dimensions (WxDxH) (mm): 578 x 600 x 301</p> <p>Weight (kg): 28</p>	<p>Option</p>	<p>Product Configuration</p>
<p>Large Capacity Cassette PC-405</p> <p>Paper Size: A4 crosswise</p> <p>Paper Weight: 64 – 256 g/m²</p> <p>Paper Capacity: 2500 sheets (80 g/m²)</p> <p>Media Type: Plain Paper</p> <p>Dimensions (WxDxH) (mm): 578 x 600 x 301</p> <p>Weight (kg): 28</p>	<p>Option</p>	<p>System Specifications</p>
<p>Copier Desk CD-26</p> <p>Function: Storage of consumables and paper</p> <p>Dimensions (WxDxH) (mm): 602 x 572 x 266</p> <p>Weight (kg): 11.7</p>	<p>Option</p>	<p>Copier Specifications</p>
		<p>Printer Specifications</p>
		<p>Scanner Specifications</p>
		<p>Fax Specifications</p>
		<p>Consumables</p>
		<p>Article Numbers</p>
		<p>Installation</p>
		<p>Maintenance</p>
		<p>Spare Parts</p>
		<p>Recommended Media</p>
		<p>Appendix</p>



Booklet Finisher FS-609		Sales start Feb 2008 Option	Product Basic
Finishing Modes	Non-sort, sort, group, offset, staple, fold, booklet, punch (option)		Product Configuration
Tray Capacity	1 st Tray: <= A4 1000 sheets, >= A4 500 sheets		System Specifications
	Booklet Tray: booklet (max. 150 sheets)		Copier Specifications
Folding Modes	Half Fold		Printer Specifications
Folding Capacity	Max. 3 sheets with 80 g/m ² or 1 sheet with up to 105 g/m ²		Scanner Specifications
Folding Format	Half fold A3 – A4 lengthwise		Fax Specifications
Stapling Modes	Saddle Stitch, Corner (front/back), Centre 2 points		Consumables
Stapling Capacity	50 sheets (80 g/m ²) or 48 sheets 80 g/m ² + 2 sheets 200 g/m ² , 15 sheets booklet (80 g/m ²) or 14 sheets 80 g/m ² + 1 sheet 150 g/m ²		Article Numbers
Stapling Format	A3 – B5		Installation
Dimensions (WxDxH) (mm)	665 x 656 x 1,028 (TBD)		Maintenance
Weight (kg)	68 (TBD)		Spare Parts
Remark	One staple cartridge MS-5D is packed to the finisher.		Recommended Media
	Options for FS-609: PK-501 (also available as Swedish version)		Appendix
Punch Kit PK-501		Option	
Punch Method	On-line, page by page, 4 holes for Europe version, 4 holes fixed for Swedish version		
Hole Diameter	6.5 mm ± 0,5 mm		
Paper Size	2 holes: A3, B4, A4 C / L, B5 C / L, A5 C / L 4 holes: A3, B4, A4 L, B5 L		
Paper Weight	60 – 128 g/m ²		
Dimensions (WxDxH) (mm)	130 x 470 x 115		
Weight (kg)	3		
Remark	Punch mode can not be used together with the folding mode, stitch and fold mode		



Built-in Finisher FS-519	Option	<table border="1"> <tr><td>Product Basic</td></tr> <tr><td>Product Configuration</td></tr> <tr><td>System Specifications</td></tr> <tr><td>Copier Specifications</td></tr> <tr><td>Printer Specifications</td></tr> <tr><td>Scanner Specifications</td></tr> <tr><td>Fax Specifications</td></tr> <tr><td>Consumables</td></tr> <tr><td>Article Numbers</td></tr> <tr><td>Installation</td></tr> <tr><td>Maintenance</td></tr> <tr><td>Spare Parts</td></tr> <tr><td>Recommended Media</td></tr> <tr><td>Appendix</td></tr> </table>	Product Basic	Product Configuration	System Specifications	Copier Specifications	Printer Specifications	Scanner Specifications	Fax Specifications	Consumables	Article Numbers	Installation	Maintenance	Spare Parts	Recommended Media	Appendix
Product Basic																
Product Configuration																
System Specifications																
Copier Specifications																
Printer Specifications																
Scanner Specifications																
Fax Specifications																
Consumables																
Article Numbers																
Installation																
Maintenance																
Spare Parts																
Recommended Media																
Appendix																
General Paper Weight	60 – 300 g/m ²															
Finishing Modes	Non-sort, sort, group, sort & offset, group & offset, staple															
Tray Capacity	Upper tray: 200 sheets (A4 / 80 g/m ²) Lower tray: 1000 sheets (A4 / 80 g/m ²)															
Stapling Modes	Corner stapling, two position stapling															
Stapling Capacity	50 sheets (80 g/m ²) or 48 sheets 80 g/m ² + 2 sheets 200 g/m ²															
Stapling Format	Corner 30 degrees (back, front), Corner Parallel (back, front), Parallel 2 points															
Dimensions (WxDxH) (mm)	352 x 471 x 589															
Weight (kg)	33.2															
Remark	1 staple cartridge SK-602 is included For more details in regard to the capacity refer to the chapter "Appendix"															
Punch Kit PK-515	Option															
Number of Holes	4 (Ø 6.5 mm)															
Paper Size	A5 – A3															
Paper Weight	50 – 256 g/m ²															
Dimensions (WxDxH) (mm)	114 x 461 x 106															
Weight (kg)	1.9															
Remark	Also available as Swedish version															
Additional Output Tray OT-602	Option															
Bin Capacity	200 sheets															
Remark	For more details in regard to the capacity refer to the chapter "Appendix"															



Mail Bin Tray MT-502		Option	Product Basic
Number of Bins	4		Product Configuration
Bin Capacity	125 sheets each		System Specifications
Dimensions (WxDxH) (mm)	340 x 509 x 387		Copier Specifications
Weight (kg)	8		Printer Specifications
Remarks	Either Mail Bin Tray or Saddle Kit can be installed to FS-519		Scanner Specifications
Saddle Kit SD-505		Option	Fax Specifications
Folding	Crease fold		Consumables
Paper Size	A4 lengthwise / A3		Article Numbers
Paper Weight	60 – 209 g/m ²		Installation
Tray Capacity	200 sheets or 20 sets		Maintenance
Stapling Modes	Centre parallel 2 points		Spare Parts
Stapling Capacity	2 – 15 sheets (max. 60 sheets) or 1 cover sheet up to 209 g/m ² plus 14 sheets 50-90 g/m ²		Recommended Media
Dimensions (WxDxH) (mm)	445 x 203 x 478 When the tray is pulled out: 576 x 281		Appendix
Weight (kg)	9.3 (inner and outer part together)		
Remark	1 staple cartridge MS – 2C is included in the kit Either Saddle Kit or Mail Bin Tray can be installed to FS-519		
Job Separator JS-505		Option	
Paper Size	Tray 1: A6 to A3 Tray 2: A5 to A3		
Paper Weight	Tray 1: 60 – 271 g/m ² Tray 2: 60 – 90 g/m ²		
Capacity	Tray 1: 150 sheets (90 g/m ²) Tray 2: 50 sheets (90 g/m ²)		
Dimensions (WxDxH) (mm)	423 x 477 x 129.5		
Weight (kg)	5		
Remark	Offset Function only for Tray 1 (30 mm shift)		
USB Host Board EK-603		Option	
Function	USB interface for AU-101, AU-201. Utilised for USB Direct Print and scan support. MK-711 required in addition.		



Fax Kit FK-502		Option	<p>Product Basic</p> <p>Product Configuration</p> <p>System Specifications</p> <p>Copier Specifications</p> <p>Printer Specifications</p> <p>Scanner Specifications</p> <p>Fax Specifications</p> <p>Consumables</p> <p>Article Numbers</p> <p>Installation</p> <p>Maintenance</p> <p>Spare Parts</p> <p>Recommended Media</p> <p>Appendix</p>
Specifications	Please refer to the chapter "Fax Specifications"		
Remark	To connect the fax kit, MK-711 is required. For a second fax line a second FK-502 is required. In that case ML-501 is required additionally. Not Available for bizhub C353P		
Stamp Unit SP-501		Option	
Function	Attached to DF-611 and marks every fax original which is scanned in for transmission.		
Remark	Not Available for bizhub C353P		
Spare TX Marker Stamp 2			
Remark	Spare stamp for SP-501 Not available for bizhub C353P		
2nd Fax Connection Board ML-501		Option	
Function	Interface Board for 2 nd Fax Kit FK-502		
Remark	Not available for bizhub C353P		
Security Kit SC-503		Option	
Function	Memory Data Encryption		
Scan Accelerator Board SA-501		Option	
Function	Faster scan processing, multiple PDF re-routing, scan file printing from box		
Remark	MK-711 is required in addition. Not available for bizhub C353P		
Biometric Authentication Unit AU-101		Option	
Function	Authentication by finger vein scanner		
Remark	EK-603 is required to connect AU-101		
IC Card Authentication Unit AU-201		Option	
Function	Authentication by contact less IC card		
Remark	EK-603 is required to connect AU-201 Cards: MIFARE (refer to the Article Numbers)		
Working Table WT-502		Option	
Function	To place the Authentication Unit		
Remark	Not available for C353P		



Option Connection Board MK-711		Option	<table border="1"> <tr><td>Product Basic</td></tr> <tr><td>Product Configuration</td></tr> <tr><td>System Specifications</td></tr> <tr><td>Copier Specifications</td></tr> <tr><td>Printer Specifications</td></tr> <tr><td>Scanner Specifications</td></tr> <tr><td>Fax Specifications</td></tr> <tr><td>Consumables</td></tr> <tr><td>Article Numbers</td></tr> <tr><td>Installation</td></tr> <tr><td>Maintenance</td></tr> <tr><td>Spare Parts</td></tr> <tr><td>Recommended Media</td></tr> <tr><td>Appendix</td></tr> </table>	Product Basic	Product Configuration	System Specifications	Copier Specifications	Printer Specifications	Scanner Specifications	Fax Specifications	Consumables	Article Numbers	Installation	Maintenance	Spare Parts	Recommended Media	Appendix
Product Basic																	
Product Configuration																	
System Specifications																	
Copier Specifications																	
Printer Specifications																	
Scanner Specifications																	
Fax Specifications																	
Consumables																	
Article Numbers																	
Installation																	
Maintenance																	
Spare Parts																	
Recommended Media																	
Appendix																	
Function	Required to connect FK-502, EK-603, SA-501																
Hard Disk Drive HD-508		Option															
Capacity	60 GB																
Remark	Required only for bizhub C353P																
Fiery Controller IC-409		Option															
Specifications	Please refer to the chapter “Fiery Specifications”																
Remark	To connect IC-409, VI-504 is required additionally.																
	Not available for bizhub C203																
Video Interface Kit VI-504		Option for IC-409															
Remark	Required to connect IC-409																
	Not available for bizhub C203																
COLOR PROFILER UV		Option for IC-409															
Function	ICC profile creation and machine linearization																
COLOR PROFILER non-UV		Option for IC-409															
Function	ICC profile creation and machine linearization																
DENSITOMETER X-RITE DTP34		Option for IC-409															
Function	Machine linearization																
SECURE ERASE		Option for IC-409															
Function	HDD data erase (ISO 15408)																
HOT FOLDER		Option for IC-409															
Function	Offers Hot Folder and virtual printer functionality																
AUTO TRAPPING		Option for IC-409															
Function	Trapping for CMYK process colour																
IMPOSE 2.6		Option for IC-409															
Function	Imposition																



LICENSE KEY LK-101			Option	Product Basic
	Function	Web Browser Function		Product Configuration
	Remark	UK-201 is required in addition		System Specifications
LICENSE KEY LK-102			Option	Copier Specifications
	Function	PDF Encryption Function		Printer Specifications
	Remark	UK-201 is required in addition		Scanner Specifications
MEMORY KIT UK-201			Option	Fax Specifications
	Memory Capacity	512MB		Consumables
	Remark	The kit contains a memory, a stylus pen and a manual. In addition another face sheet is required (please refer to Chapter "Article Numbers" and/or the price list.		Article Numbers
				Installation
				Maintenance
				Spare Parts
				Recommended Media
				Appendix



Copier Specifications

	bizhub C353	bizhub C253	bizhub C203	Product Basic
WARM-UP TIME	Color: 75 sec. or less	Color: 80 sec. or less		Product Configuration
	Mono.: 75 sec. or less	Mono.: 80 sec. or less		System Specifications
FIRST COPY	Color: 8.5 sec. or less	Color: 11.7 sec. or less		Copier Specifications
	Mono.: 5.9 sec. or less	Mono.: 7.7 sec. or less		Printer Specifications
COPY SPEED				Scanner Specifications
Color A4 crosswise (simplex & duplex)	35 ppm	25 ppm	20 ppm	Fax Specifications
Mono. A4 crosswise (simplex & duplex)	35 ppm	25 ppm	20 ppm	Consumables
Color A3 (simplex/duplex)	18/12 ppm	13/9 ppm	13/9 ppm	Article Numbers
Mono. A3 (simplex/duplex)	18/12 ppm	13/9 ppm	13/9 ppm	Installation
SCAN RESOLUTION	600 x 600 dpi			Maintenance
PRINT RESOLUTION	1800 equivalent x 600 dpi			Spare Parts
MEMORY	1024 MB max. (std.)			Recommended Media
HDD	60 GB (std.)			Appendix
GRADATION	256			
ZOOM	25 – 400 % adjustable in 0.1 % steps			
MULTI COPY	1 – 999, count-up, interruption capability			
DENSITY ADJUSTMENT	Automatic, Manual (7 steps)			
IMAGE LOSS	Leading edge	4.2 mm or less (C353P: 4.2 mm)		
	Trailing edge	3 mm or less (C353P: 4.2 mm)		
	Both sides	3 mm or less (C353P: 4.2 mm)		
STANDARD OUTPUT CAPACITY	250 sheets			
POWER REQUIREMENT	220 - 240 V / 50/60 Hz / 8 A			
POWER CONSUMPTION	1.5 kw or less			



	bizhub C353	bizhub C253	bizhub C203	Product Basic
COPIER DIMENSIONS (W x D x H) mm	643 x 852 x 770 (Standard Unit only)			Product Configuration
PRINTER DIMENSIONS (W x D x H) mm	643 x 708 x 637			System Specifications
COPIER WEIGHT (kg)	Approx. 99 (Standard Unit only)			Copier Specifications
PRINTER WEIGHT (kg)	Approx. 79			Printer Specifications
FEATURE LIST				Scanner Specifications
	2in1/4in1/8in1	Yes		Fax Specifications
	AMS/APS/ATS	Yes		Consumables
	Book Copy	Yes		Article Numbers
	Booklet	Yes (with Finisher)		Installation
	Chapter Insertion	Yes		Maintenance
	Continuous Number Stamping	Yes		Spare Parts
	Cover Mode	Yes		Recommended Media
	X/Y Independent Zoom	Yes		Appendix
	Department Control	Yes (1000)		
	Distribution Numbering	Yes		
	Edge / Frame / Fold Line Erase	Yes		
	Image Insertion	Yes		
	Image Repeat	Yes		
	Image Shift	Yes		
	Image Rotation	Yes		
	Program Job	Yes		
Non-Image Area Erase	Yes			
OHP Interleaving	Yes			
Overlay	Yes			

ATS >> Automatic Tray Selection



FEATURE LIST cont.		Product Basic
Page Insertion	Yes	Product Configuration
Positive-Negative-Mode	Yes	System Specifications
Date Stamp / Page Stamp	Yes / Yes	Copier Specifications
Program Memory	Yes (30)	Printer Specifications
Proof Copy	Yes	Scanner Specifications
Separate Scanning	Yes	Fax Specifications
Stamp	Yes	Consumables
Watermark	Yes	Article Numbers
Gloss Copy	Yes	Installation
		Maintenance
		Spare Parts
		Recommended Media
		Appendix



Printer Specifications Emperon Controller

CPU	MC7447, 1 GHz	Product Basic
PRINT SPEED	Refer to Copier Specifications/Copy Speed	Product Configuration
PRINT RESOLUTION	1,800 (equivalent) x 600dpi	System Specifications
PDL	PCL5e/c Emulation, PCL XL version 3.0 Emulation PostScript 3 Emulation (3016)	Copier Specifications
PRINT RAM	1,024 MB shared with engine	Printer Specifications
PRINT HDD	60 GB shared with engine	Scanner Specifications
FONTS	PS3: AgfaMicro type (137 fonts) PCL AgfaMicro type (80 fonts)	Fax Specifications
INTERFACE		Consumables
10BaseT/100BaseTX/1000 BaseT	Yes (standard)	Article Numbers
USB 1.1/2.0	Yes (standard)	Installation
USB Host	Yes (option)	Maintenance
PROTOCOLS		Spare Parts
Nibble/ECP	Yes (for PnP) / Yes	Recommended Media
LPR/ RAW Socket	Yes / Yes	Appendix
EtherTalk	Yes	
LPD	Yes	
IPX/SPX	Yes	
NDS/Bindery	Yes/Yes	
TCP/IP	Yes	
SNMP	Yes	
SMTP/POP3/IMAP	Yes / Yes / No	
HTTP	Yes	
SMB (NetBBEUI)	Yes	



PROTOCOLS cont.			Product Basic
	NDPS	Yes	Product Configuration
	IPP 1.1	Yes	System Specifications
PRINTER DRIVER			Copier Specifications
	Windows 95	No	Printer Specifications
	Windows 98 / Me	No	Scanner Specifications
	Windows NT4.0	Yes	Fax Specifications
	Windows 2003	Yes	Consumables
	Windows XP/XP64	Yes/Yes	Article Numbers
	Windows XPS	Yes	Installation
	Windows Vista 32/64	Yes/Yes	Maintenance
	Windows 2000/2003/2003x64 Server	Yes/Yes	Spare Parts
	Mac OS 9.0 or later	Yes	Recommended Media
	Mac OS X 10.2/10.3	Yes	Appendix
FEATURE LIST			
	Booklet Creation	Yes	
	Chapter Insertion	Yes	
	Continuous Number Stamping	Yes	
	Cover Mode	Yes	
	Date Stamp	Yes	
	Distribution Numbering	Yes	
	Edge / Frame Erase	Yes	
	Image Insertion	Yes	
	Image Repeat	Yes (2 repeats)	
	Image Shift	Yes	
	Image Rotation	Yes	



FEATURE LIST cont.	Job Accounting	Yes	<table border="1"> <tr><td>Product Basic</td></tr> <tr><td>Product Configuration</td></tr> <tr><td>System Specifications</td></tr> <tr><td>Copier Specifications</td></tr> <tr><td>Printer Specifications</td></tr> <tr><td>Scanner Specifications</td></tr> <tr><td>Fax Specifications</td></tr> <tr><td>Consumables</td></tr> <tr><td>Article Numbers</td></tr> <tr><td>Installation</td></tr> <tr><td>Maintenance</td></tr> <tr><td>Spare Parts</td></tr> <tr><td>Recommended Media</td></tr> <tr><td>Appendix</td></tr> </table>	Product Basic	Product Configuration	System Specifications	Copier Specifications	Printer Specifications	Scanner Specifications	Fax Specifications	Consumables	Article Numbers	Installation	Maintenance	Spare Parts	Recommended Media	Appendix
	Product Basic																
	Product Configuration																
	System Specifications																
	Copier Specifications																
	Printer Specifications																
	Scanner Specifications																
	Fax Specifications																
	Consumables																
	Article Numbers																
	Installation																
	Maintenance																
	Spare Parts																
	Recommended Media																
Appendix																	
Non-Image Area Erase	Yes																
OHP Interleaving	Yes																
Overlay	Yes																
Page Insertion	Yes																
Page Stamp	Yes																
Proof Print	Yes																
Stamp	Yes																
Watermark	Yes																
MixPlex	Yes																
Tab Print	No																
Tandem Print	No																
N-up	2, 4, 6, 9, 16																
FINISHING																	
Sorting	Yes																
Stapling	Yes (Settings: auto, left, top, right)																
Punching	Yes																
Folding	Yes																
Page Order Output	Yes																



Printer Specifications Fiery IC-409 (not for bizhub C203)

Hardware	Type	Embedded X3e	Product Basic Product Configuration System Specifications Copier Specifications Printer Specifications Scanner Specifications Fax Specifications Consumables Article Numbers Installation Maintenance Spare Parts Recommended Media Appendix
	CPU	Intel Celeron 2.8GHz FSB533MHz	
	Memory	512MB - DDR400 (PC3200) std.	
	OS	System 8e (Linux)	
	Harddisk	80GB	
Interface	Ethernet	Standard	
	TokenRing	No	
	Parallel	No	
	USB	USB 2.0 (also utilised for Firmware update)	
Driver	PostScript	Adobe PostScript 3 CPSI 3017	
	PCL	PCL6c	
Software Utilities	Command WorkStation	Yes (V 4.5), [for Mac V 1.3]	
	Scan Box Utility	Yes	
	DocBuidler	Yes	
	FreeForm	Yes	
	Color Wise Pro Tools	Yes	
	WebTools	Yes	
	DownLoader	Yes	
	Spooler	Yes	
	Twain Scan	Yes	



Software Utilities cont.			Product Basic
Remote Scan	Yes		Product Configuration
Graphic Arts Light Features	Yes (Option), SpotOn (std.), AutoTrapping (opt.), HotFolder (opt.)		System Specifications
Color Profiler	Yes (Option)		Copier Specifications
Impose (Doc Builder Pro)	Yes (Option)		Printer Specifications
Konica Minolta MIB	Yes (Standard MIB III + KM printer MIB)		Scanner Specifications
CS Remote Care	Yes		Fax Specifications
PageScope Web Connection	Yes, routed to MFP via 2 nd Lan connection		Consumables
Features			Article Numbers
PPML (variable data database)	No		Installation
Load Balancing	Yes		Maintenance
Archiving	Yes		Spare Parts
Rip-While Print	Yes		Recommended Media
Fast Reprint	Yes		Appendix
Mixed Media	Yes		
Accounting	Yes		
Group Printing	Yes		
Secure Printing	Yes		
NetWork			
SNMP	Yes, 3.0		
NetWise	Yes		
Novell NDS compliant	Yes		
Netware Version	5.x or later		
Auto Switching Protocols	Yes		
Auto Port Switching	Yes		



Apple Talk	Yes	Product Basic	
IPP	Yes		Product Configuration
Terminal Server	Yes		
Point and Print	Yes		System Specifications
Click and Print	Yes (via SMB)		
Port 9100	Yes		Copier Specifications
LPR printing	Yes		
IP-Filtering	Yes		Printer Specifications
HTTPS	Yes		
SSL / TLS	Yes		Scanner Specifications
User Authentication	Yes		
DRIVERS	NT4.0 Win 98SE / ME 2000 / XP Server 2003	Fax Specifications	
OTHERS	Spot-on Std. (V 2) Auto Trap Opt. Hot folder Opt. (incl. Mac OS-X 10.x support) Secure Erase Opt.	Consumables	
		Article Numbers	
		Installation	
		Maintenance	
		Spare Parts	
		Recommended Media	
		Appendix	



Scanner Specifications

SCAN FUNCTIONS			Product Basic
Twain Scan	Yes		Product Configuration
Scan to HDD	Yes		System Specifications
Scan to E-mail	Yes		Copier Specifications
Scan to FTP	Yes		Printer Specifications
Scan to SMB (PC)	Yes		Scanner Specifications
Scan to Box/USB Memory	Yes		Fax Specifications
SCAN BASICS			Consumables
Scan Resolution	Push: 200 / 300 / 400 / 600 dpi Pull: 100 / 200 / 300 / 400 / 600 dpi		Article Numbers
Scan Speed	70 opm B/W & Colour 300 dpi, 55 opm B/W & Colour 600 dpi		Installation
Max. Scanning Size	A3		Maintenance
Coding (Compression)	MMR (G4)		Spare Parts
Scan Format	TIFF, PDF, Compact PDF, JPEG,XPS		Recommended Media
Color Scanning Capability	Yes		Appendix
Separate Scan Counter	Yes		
Scanner Driver	TWAIN Driver, HDD TWAIN Driver		
UTILITIES			
PageScope Workware	Yes (option)		
PageScope Data Administrator	Yes		



Fax Specifications

GENERAL DATA		<table border="1"> <tr><td>Product Basic</td></tr> <tr><td>Product Configuration</td></tr> <tr><td>System Specifications</td></tr> <tr><td>Copier Specifications</td></tr> <tr><td>Printer Specifications</td></tr> <tr><td>Scanner Specifications</td></tr> <tr><td>Fax Specifications</td></tr> <tr><td>Consumables</td></tr> <tr><td>Article Numbers</td></tr> <tr><td>Installation</td></tr> <tr><td>Maintenance</td></tr> <tr><td>Spare Parts</td></tr> <tr><td>Recommended Media</td></tr> <tr><td>Appendix</td></tr> </table>	Product Basic	Product Configuration	System Specifications	Copier Specifications	Printer Specifications	Scanner Specifications	Fax Specifications	Consumables	Article Numbers	Installation	Maintenance	Spare Parts	Recommended Media	Appendix
Product Basic																
Product Configuration																
System Specifications																
Copier Specifications																
Printer Specifications																
Scanner Specifications																
Fax Specifications																
Consumables																
Article Numbers																
Installation																
Maintenance																
Spare Parts																
Recommended Media																
Appendix																
Min Transmission Time (seconds)	< 3 Sec. ITU-T V.34,JBIG (ITU No. 1)															
Max. Modem Speed / Compatibility	33,6 kbps / ECM, Super G3															
Coding / Error Correction (ECM)	MH, MR, MMR, JBIG															
Document Memory	512 MB shared with engine.															
Memory Battery Buffered	60 hrs. (after 28 hrs. full charge)															
Dual Access (2ch)	Yes															
Dual Line	Yes (two FK-502, MK-711 and ML-501 are required)															
Remote Diagnostic	CS Remote Care															
Display / Error Indicator	Yes															
DIALING																
Max. Numbers Stored	Abbreviated dial: 2000 One-touch dial: 400															
Max. Phone Digits	38 digits															
Program Keys	Yes, 400															
Group Setting (max.)	Yes, 100 (max. 500 destinations)															
Tone / Pulse Select	Yes / No															
PSTN-access by No / Earth Key / Flash	Yes / No / Yes (default: off, service function)															
Sub addressing	Yes															
Auto Redial / Last Number Redial	Yes / Yes (possible to select from five latest histories)															
Electronic Telephone Book Function	Yes															
Monitor Speaker	Yes															



TRANSMISSION / INPUT		Product Basic
Transmission Resolution	200 x 100 dpi, 200 x 200 dpi, 400 x 400 dpi, 600 x 600 dpi	Product Configuration
Effective Scanning Width	Max A3 (1000 mm in length)	System Specifications
Max. Size FBS (W x L)	216 x 356 mm	Copier Specifications
Halftones	Yes, 256	Printer Specifications
Number of Timers	max. 20	Scanner Specifications
Storable TX Jobs	max. 99	Fax Specifications
ADF/Memory Transmission	Yes / Yes	Consumables
Book Transmission	Yes	Article Numbers
Header Line (TTI)	Yes	Installation
Stamp Function	Yes (w. optional stamp unit SP-501)	Maintenance
Department Management	Yes	Spare Parts
Closed Network TX / Protected TX	Yes / Yes	Recommended Media
Quick Memory Transmission	Yes	Appendix
Batch Transmission	Yes	
2-to-1 Transmission	No	
2-Sided Transmission	No	
Cover Page Function	Yes [via PCL6 printer driver]	
Max. Broadcasting Locations	230	
Relay Broadcasting	Yes (using ITU subaddress function)	
Relay Broadcast Command	Yes (using ITU subaddress function)	



RECEIVING / OUTPUT	
Receiving Resolution	203 x 98 dpi, 203 x 196 dpi, 406 x 392 dpi
Effective Print Width (fax mode)	A4 (3±2 mm margin)
Smoothing	Yes, for 203 x 98 dpi only
Auto / Manual Reception	Yes / Yes
Storable RX Jobs	Max. 250
Reduction in Fax Mode	Yes
Paper source selection	Yes
Receiving / Output Tray Selection	Yes (w. optional finisher)
Memory Receiving	Yes
Footer Print	Yes
Closed Network RX / Protected RX	No / Yes (block Junk Fax)
2 to 1 Receiving	Yes (A5/2 pages → A4/1 page)
Duplex Reception	Yes
RX-Memory Print by Password	Yes (Security reception)
Forward Function	Yes [to other fax number, Box and eMail]
Max. Polling Locations	max. 230
Selective / Protected Polling	Yes (ITU subaddress) / yes (ITU subaddress)
Memory Polling (Database Polling)	Yes

Product Basic
Product Configuration
System Specifications
Copier Specifications
Printer Specifications
Scanner Specifications
Fax Specifications
Consumables
Article Numbers
Installation
Maintenance
Spare Parts
Recommended Media
Appendix



REPORTS AND LISTS		Product Basic
Telephone List	Yes	Product Configuration
Key Setting List	Yes (Soft key: Included in Machine Setting List)	System Specifications
Transmission Report	Yes	Copier Specifications
Reception Result Report	Yes	Printer Specifications
Reservation Report	Yes (Command List)	Scanner Specifications
Broadcast Report	Yes (Transmission Confirmation Report)	Fax Specifications
Error Report	Yes (Transmission Confirmation Report)	Consumables
Machine Status List	Yes (Machine Setting List)	Article Numbers
Journal	Yes	Installation
Consumable Order Report	Yes (default: off, service function)	Maintenance
Memory Data List / Print	Yes (Stored Document List)	Spare Parts
User/Department Management List	Yes	Recommended Media
UTILITIES		Appendix
PageScope Data Administrator	Yes (for programming fax receipt)	

Note: Specification may vary due to national PTT regulations



Internet Fax

GENERAL DATA			Product Basic
Remark	Standard		Product Configuration
Communication Protocol	Transmission: SMTP Receiving: POP3, TCP/IP		System Specifications
Communication Mode	Full mode		Copier Specifications
Original Size	A3, B4, A4		Printer Specifications
Recording Size	Max. A3 (max. long size original: 1000 mm with Document Feeder)		Scanner Specifications
Interface	Ethernet 10Base-T / 100Base-TX/1000Base-T		Fax Specifications
Resolution	600 x 600 dpi		Consumables
Format	Transmission: TIFF-S, Receiving: TIFF-F		Article Numbers
Server Software	Support for RightFax Server		Installation
			Maintenance
			Spare Parts
			Recommended Media
			Appendix



Consumables

TONER BLACK	For bizhub C203 & bizhub C253		Product Basic
	Name	TN213K	Product Configuration
	Concept	Cartridge system	System Specifications
	Weight	765 g	Copier Specifications
	Yield	24.5 k (5% coverage)	Printer Specifications
	Units per carton	1 cartridge	Scanner Specifications
TONER COLOUR (C, M, Y)	For bizhub C203 & bizhub C253		Fax Specifications
	Name	TN213Y/M/C	Consumables
	Concept	Cartridge system	Article Numbers
	Weight	625 g	Installation
	Yield	19 k (5% coverage)	Maintenance
	Units per carton	1 cartridge	Spare Parts
IMAGING UNIT BLACK	For bizhub C203 & bizhub C253		Recommended Media
	Name	IU211K	Appendix
	Weight	1569 g	
	Yield	70 k (C203)/100 k (C253)	
	Units per carton	1 unit	
	Remark	Drum included	
IMAGING UNIT COLOUR (C, M, Y)			
	Name	IU211Y/M/C	
	Weight	1569 g	
	Yield	55 k (C203)/75 k (C253)	
	Units per carton	1 unit	
	Remark	Drum included	
<p>Important Note: The yields for toner consumption and I/U life are calculated under the following running condition: bizhub C253: 3 prints/job, bizhub C203: 2 prints/job</p>			



TONER BLACK	For bizhub C353 & bizhub C353P		Product Basic
	Name	TN314K	Product Configuration
	Concept	Cartridge system	System Specifications
	Weight	765 g	Copier Specifications
	Yield	26.0 k (5% coverage)	Printer Specifications
	Units per carton	1 cartridge	Scanner Specifications
TONER COLOUR (C, M, Y)	For bizhub C353 & bizhub C353P		Fax Specifications
	Name	TN314Y/M/C	Consumables
	Concept	Cartridge system	Article Numbers
	Weight	625 g	Installation
	Yield	20 k (5% coverage)	Maintenance
	Units per carton	1 cartridge	Spare Parts
IMAGING UNIT BLACK	For bizhub C353 & bizhub C353P		Recommended Media
	Name	IU313K	Appendix
	Weight	1569 g	
	Yield	120 k	
	Units per carton	1 unit	
	Remark	Drum included	
IMAGING UNIT COLOUR (C, M, Y)	For bizhub C353 & bizhub C353P		
	Name	IU313Y/M/C	
	Weight	1569 g	
	Yield	90 k	
	Units per carton	1 unit	
	Remark	Drum included	
Important Note: The yields for toner consumption and I/U life are calculated under the following running condition: bizhub C353 (P): 4 prints /job			



STAPLE CARTRIDGES FOR FS-519		SK-602	Product Basic
Name	Quantity per Sales Unit		3 cartridge, 5000 staples each
STAPLE CARTRIDGES FOR SD-505		MS – 2C (MAXX)	System Specifications
Name	Quantity per Sales Unit		4 cartridges, 2000 staples each
STAPLE CARTRIDGES FOR FS-609		MS-5D	Printer Specifications
Name	Quantity per Sales Unit		3 cartridge, 5000 staples each
WASTE TONER BOX		50 k	Fax Specifications
Yield			
			Article Numbers
			Installation
			Maintenance
			Spare Parts
			Recommended Media
			Appendix



Article Numbers

Machine/Accessories	Art. No.	Compatibility	Product Basic
bizhub C203	A02E022	---	Product Configuration
bizhub C253	A02E021	---	System Specifications
bizhub C353	A02E020	---	Copier Specifications
bizhub C353P	A02E023	---	Printer Specifications
Document Feeder DF-611 (not available for bizhub C353P)	A01H WY0	bizhub C451/C550	Scanner Specifications
Original Cover OC-507 (not available for bizhub C353P)	A0D8 WY0	---	Fax Specifications
500 Sheet Paper Feed Cabinet PC-104	A093 WY0	---	Consumables
2x500 sheet Paper Feed Cabinet PC-204	A093 WY1	---	Article Numbers
2500 sheet Large Capacity Cassette PC-405	A093 WY2	---	Installation
Copy Desk CD-26	9960 7400 00	---	Maintenance
Banner Tray BT-C1	9967 – 0002 - 61	bizhub C250/C252/C300/C351/C352/C450/ C451	Spare Parts
Booklet Finisher FS-609	4583 WY0	---	Recommended Media
Punch Kit European Version PK-501	4614453	FS-603	Appendix
Punch Kit Swedish Version PK-501	4614457	FS-603	
Built in Finisher FS-519	A01GWY0	---	
Saddle Kit SD-505	4511 761	FS-519	
Mailbin Kit MT-502	4510 761	FS-519	
Additional Output Tray OT-602	4625 246	FS-519	
Punch Kit PK-515	A0DHWY2	FS-514	
Punch Kit PK-515 Sweden	A0DHWY4	FS-514	
Job Separator JS-505	A083WY0	---	
Fiery Image Controller IC-409 (not available for bizhub C203)	T.B.D.	---	
Video Interface Kit VI-504 (not available for bizhub C203)	A091 WW0	bizhub C451/C550	
Color Profiler UV for IC-409	9967 – 0003 - 11	bizhub C300/C350/C351/C450/C451/C550/ C650	



Accessories cont.	Art. No.	Compatibility	Product Basic
Color Profiler non UV for IC-409	9967 – 0003 - 12	bizhub C300/C350/C351/C450/C451/C550/ C650	Product Configuration
Densitometer X-RITE DTP34 for IC-409	9961 – 3620 - 00	bizhub C300/C350/C351/C450/C451/C550/ C650	System Specifications
Secure Erase for IC-409	9967 – 0004 - 44	bizhub C451/C550/C650	Copier Specifications
Hot Folder for IC-409	9967 – 0004 - 45	bizhub C451/C550/C650	Printer Specifications
Auto Trapping for IC-409	9967 – 0004 - 46	bizhub C451/C550/C650	Scanner Specifications
Impose 2.6 for IC-409	9967 – 0004 - 47	bizhub C451/C550/C650	Fax Specifications
Fax Kit FK-502 (not available for bizhub C353P)	15LE	bizhub 360/420/500/600/750/C250/C252/ C300/C351/C352/C450/C550/C451	Consumables
2 nd Fax Connection Board ML-501 (not available for bizhub C353P)	4599 414	bizhub C250/C252/C300/C351/C352/C450/ C550/C451	Article Numbers
Stamp Unit SP-501 (not available for bizhub C353P)	4614 506	bizhub 250/350/360/420/500/C250/C252/ C300/C351/C352/C450/C550/C451	Installation
Spare TX Marker Stamp 2 (not available for bizhub C353P)	4614 511	bizhub 250/350/360/420/500/C250/C252/ C300/C351/C352/C450/C550/C451	Maintenance
Scan Accelerator SA-501 (not available for bizhub C353P)	4599 386	bizhub C250/C252/C300/C351/C352/C450/ C550	Spare Parts
USB Host Board EK-603	A0DPWW0	bizhub C550/C451 (upper compatible)	Recommended Media
Security Kit SC-503	4599 441	bizhub C250/C252/C300/C351/C352/C450/ C550/C451	Appendix
Biometrics Authentication AU-101	A09M WY0	bizhub C451/C550	
IC Card Authentication AU-201	A09N WY0	bizhub C451/C550	
MIFARE IC Cards for AU-201	9967 – 0001 - 75	---	
Working Table WT-502	A07E WWO	bizhub C451/C550/C650	
Option Connection Board MK-711	A0DC WY0	bizhub C203, C253, C353	
Hard Disk Drive HD-508	A0DD WY0	for bizhub C353P only	
Upgrade Kit UK-201	A0PDWY1	bizhub C203, C253, C353 (P)/ C451/C550/C650	
License Key LK-101	A0PD021	bizhub C203, C253, C353 (P)/ C451/C550/C650/361/421/501	
License Key LK-102	A0PD022	bizhub C203, C253, C353 (P)/ C451/C550/C650/361/421/501	



CONSUMABLES	Art. No.	Compatibility	Product Basic
Toner TN314K	A0D7151	bizhub C353/P	Product Configuration
Toner TN314Y	A0D7251	bizhub C353/P	System Specifications
Toner TN314M	A0D7351	bizhub C353/P	Copier Specifications
Toner TN314C	A0D7451	bizhub C353/P	Printer Specifications
Imaging Unit IU313K	A0DE03F	bizhub C353/P	Scanner Specifications
Imaging Unit IU313Y	A0DE07F	bizhub C353/P	Fax Specifications
Imaging Unit IU313M	A0DE0DF	bizhub C353/P	Consumables
Imaging Unit IU313C	A0DE0JF	bizhub C353/P	Article Numbers
Toner TN213K	A0D7152	bizhub C203, C253	Installation
Toner TN213Y	A0D7252	bizhub C203, C253	Maintenance
Toner TN213M	A0D7352	bizhub C203, C253	Spare Parts
Toner TN213C	A0D7452	bizhub C203, C253	Recommended Media
Imaging Unit IU211K	A0DE02F	bizhub C203, C253	Appendix
Imaging Unit IU211Y	A0DE06F	bizhub C203, C253	
Imaging Unit IU211M	A0DE0CF	bizhub C203, C253	
Imaging Unit IU211C	A0DE0HF	bizhub C203, C253	
Waste Toner Box	A0DTWY0	bizhub C203, C253, C353,/C353P	
SK-602 Staple Cartridge for FS-519	14YK	FS-504, FS-514, FS-517	
MS-2C Staple Cartridge for SD-505	4599 - 161	SK-1, SD-503	
MS-5D Staple Cartridge for FS-609	4623 - 361	FS-507, FS-508, FS-510, FS-511, FS-601, FS-603	



Documentation

Language	User Manual (Printed Version)		Face Sheets		Remarks	Product Basic
GB (en)	9961 – 0203 – 00	✓	9967 – 0451 - 00	✓	The Face Sheets are compatible to those of bizhub C451/C550/C650.	Product Configuration
D (de)	9961 – 0203 – 01	✓	9967 – 0451 – 01	✓		System Specifications
F (fr)	9961 – 0203 – 02	✓	9967 – 0451 – 02	✓		Copier Specifications
E (es)	9961 – 0203 – 03	✓	9967 – 0451 – 03	✓		Printer Specifications
I (it)	9961 – 0203 – 04	✓	9967 – 0451 – 04	✓		Scanner Specifications
P (pt)	9961 – 0203 – 05	✓	9967 – 0451 – 05	✓		Fax Specifications
NL (nl)	9961 – 0203 – 06	✓	9967 – 0451 – 06	✓		Consumables
DK (da)	9961 – 0203 – 07	✓	9967 – 0451 – 07	✓		Article Numbers
S (sv)	9961 – 0203 – 08	✓	9967 – 0451 – 08	✓		Installation
N (no)	9961 – 0203 – 09	✓	9967 – 0451 – 09	✓		Maintenance
FIN (fi)	9961 – 0203 – 10	✓	9967 – 0451 – 10	✓		Spare Parts
GR (el)	9961 – 0203 - 11	✓	9967 – 0451 – 11	✓		Recommended Media
TR (tr)	9961 – 0203 - 13	✓	9967 – 0451 – 13	✓		Appendix
HR (hr)	14	---	14	---		
CZ (cs)	9961 – 0203 – 15	✓	9967 – 0451 – 15	✓		
BG (bg)	16	---	16	---		
EST (et)	17	---	17	---		
H(hu)	9961 – 0xxx - 18	✓	9967 – 0451 – 18	✓		
LV(lv)	19	---	19	---		
LT (lt)	20	---	20	---		
PL (pl)	9961 – 0203 – 21	✓	9967 – 0451 – 21	✓		
RO (ro)	22	---	22	---		
RUS (rus)	9961 – 0203 – 23	✓	9967 – 0451 – 23	✓		
SK (sk)	9961 – 0203 - 24	✓	9967 – 0451 - 24	✓		



Language	User Manual (Printed Version)		Face Sheets		Remarks
UA (uk)	25	---	25	---	
SLO (slo)	26	---	26	---	
Multi-lingual	99	---	99	---	
Manual CD					
Language	Contents				Remarks
GB (en)	User Manual bizhub C203/C253/C353 (Advanced) User Manual Box Operation User Manual Network Admin User Manual Network Scan/Fax/ Network Fax User Manual Print Operation			✓	
D (de)				✓	
F (fr)				✓	
I (it)				✓	
E (es)				✓	
NL (nl)				✓	
User Manual bizhub C353P					
Language	Contents				Remark
GB (en)				✓	
D (de)				✓	
F (fr)				✓	
I (it)				✓	
E (es)				✓	
NL (nl)				✓	

Product Basic
Product Configuration
System Specifications
Copier Specifications
Printer Specifications
Scanner Specifications
Fax Specifications
Consumables
Article Numbers
Installation
Maintenance
Spare Parts
Recommended Media
Appendix



Language	Face Sheets for i-Option		Remarks	Product Basic
GB (en)	9969 – 0000 - 00	✓	<p>The Face Sheet needs to be ordered in addition to the Upgrade Kit UK-201. The face sheets are compatible to those of bizhub C451/C550/C650.</p>	Product Configuration
D (de)	9969 – 0000 – 01	✓		System Specifications
F (fr)	9969 – 0000 – 02	✓		Copier Specifications
E (es)	9969 – 0000 – 03	✓		Printer Specifications
I (it)	9969 – 0000 – 04	✓		Scanner Specifications
P (pt)	9969 – 0000 – 05	✓		Fax Specifications
NL (nl)	9969 – 0000 – 06	✓		Consumables
DK (da)	9969 – 0000 – 07	✓		Article Numbers
S (sv)	9969 – 0000 – 08	✓		Installation
N (no)	9969 – 0000 – 09	✓		Maintenance
FIN (fi)	9969 – 0000 – 10	✓		Spare Parts
GR (el)	9969 – 0000 – 11	✓		Recommended Media
TR (tr)	9969 – 0000 – 13	✓		Appendix
HR (hr)	14	---		
CZ (cs)	9969 – 0000 – 15	✓		
BG (bg)	16	---		
EST (et)	17	---		
H(hu)	9969 – 0000 – 18	✓		
LV(lv)	19	---		
LT (lt)	20	---		
PL (pl)	9969 – 0000 – 21	✓		
RO (ro)	22	---		
RUS (rus)	9969 – 0000 – 23	✓		
SK (sk)	9969 – 0000 - 24	✓		



Installation

Machine/Option	Time (min.)	
bizhub C203/C253/C353	44:44	Product Basic
DF-611	16:10	Product Configuration
FS-519	37:29	System Specifications
IC-409 (Fiery) except bizhub C203	16:19	Copier Specifications
		Printer Specifications
		Scanner Specifications
		Consumables
		Article Numbers
		Installation
		Maintenance
		Spare Parts
		Recommended Media
		Appendix



Customer Replacement Parts

Parts name	Life (stop at)			Product Basic
	C353	C253	C203	Product Configuration
Toner Cartridge (Y)				System Specifications
Toner Cartridge (M)	20 k	19 k	19 k	Copier Specifications
Toner Cartridge (C)				Printer Specifications
Toner Cartridge (BK)	26 k	24.5 k	24.5 k	Scanner Specifications
Waste Toner Box	50 k	50 k	50 k	Fax Specifications
Dust Filter for Cooling Fan (Packed in Waste Toner Box)	50 k	50 k	50 k	Consumables
Imaging Unit (C)				Article Numbers
Imaging Unit(M)	90 k (92 k)	75 k (77 k)	55 k (57 k)	Installation
Imaging Unit(Y)				Maintenance
Imaging Unit(BK)	120 k (122 k)	100 k (102 k)	70 k (72 k)	Spare Parts
				Recommended Media
				Appendix



Periodical Replacement Parts

Parts name	Qty	Life	Remark	Product Basic
Ozone Filter	1	150 k	Packed in Image Transfer Unit	Product Configuration
2 nd Transfer Roller	1	150 k	Packed in Image Transfer Unit	System Specifications
Dust Filter for Vertical Transport	1	150 k	Packed in Image Transfer Unit	Copier Specifications
Image Transfer Unit	1	150 k		Printer Specifications
MPT Paper Take-up Roller	1	300 k	Stop at 180 k	Scanner Specifications
MPT Separator Roller	1	300 k		Fax Specifications
Manual Feed Paper Take-up Roller	1	200 k		Consumables
Manual Feed Separator Roller	1	200 k		Article Numbers
Fusing Unit	1	400 k	Stop at 470 k	Installation
LCC Paper Take-up Roller	1	300 k	PC-405	Maintenance
LCC Upper Separator Roller	1	300 k	PC-405	Spare Parts
LCC Lower Separator Roller	1	300 k	PC-405	Recommended Media
Copy Cabinet Paper Take-up Roller	1	300 k	PC-104/PC-204	Appendix
Copy Cabinet Upper Paper Separator Roller	1	300 k	PC-104/PC-204	
Copy Cabinet Lower Paper Separator Roller	1	300 k	PC-104/PC-204	
Cassette Paper Take-up Roller	1	300 k		
Cassette Upper Separator Roller	1	300 k		
Cassette Lower Separator Roller	1	300 k		



Recommended Media

Paper	Manufacturer	Article Number	Product Basic
Konica Minolta Color +	90 g/m ² A4	9966 – 1310 - 00	Product Configuration
Konica Minolta Color +	90 g/m ² A3	9966 – 1300 - 00	System Specifications
Konica Minolta Original	80 g/m ² A4	9960 – 6120 - 00	Copier Specifications
Konica Minolta Original	80 g/m ² A3	9960 – 6121 - 00	Printer Specifications
Color Copy	Mondi 100/120/160/200/220/ 250 g/m ² A4/A3	---	Scanner Specifications
Color Copy Style	Mondi 100/160/200 g/m ² A4/A3	---	Consumables
Banner Paper	Mondi Color Copy 160 g/m ² 297 x 1,200 mm (100 sheets)	9967 – 0002 – 24	Article Numbers
	Mondi Color Copy 160 g/m ² 297 x 1,200 mm (250 sheets)	9967 – 0001 – 89	Installation
	Mondi Color Copy 160 g/m ² 216 x 1,200 mm (100 sheets)	9967 – 0003 - 51	Maintenance
Vision Classic White (RCC-80) Recycling Paper (DIN ENN 12.281)	Steinbeis Temming 80 g/m ² A4/A3	---	Spare Parts
OHP Films			Recommended Media
Konica Minolta CG 3700	for B/W only	9967 – 0000 - 11	Appendix
X-100	FOLEX (B/W only)	---	
Envelops			
Distinction 100 weiss	Schneider & Söhne (100 g/m ² , DL size, 110 x 221 mm)	---	



Appendix

Combination of Finishing Accessories									Product Basic
Accessories	FS-609	FS-517	PK-501	PK-515	SD-505	MT-502	OT-602	JS-505	Product Configuration
Finisher FS-609		no	yes	no	no	no	no	no	System Specifications
Finisher FS-517	no		no	yes	yes ¹	yes ¹	yes	no	Copier Specifications
Punch Kit PK-501	no	yes		no	yes	yes	yes	no	Printer Specifications
Punch Kit PK-515	no	yes	no		yes	yes	yes	no	Scanner Specifications
Saddle Kit SD-505	no	yes	no	yes		no	yes	no	Fax Specifications
Mail Bin Kit MT-502	no	yes	no	yes	no		yes	no	Consumables
Additional Output Tray OT-602	no	yes	no	yes	yes	yes		no	Article Numbers
Job Separator JS-505	no	no	no	no	no	no	no		Installation
Remark: ¹) Either SD-505 or MT-502 can be used.									Maintenance
									Spare Parts
									Recommended Media
									Appendix



Brief Finisher Specification Overview				Product Basic
	FS-609	FS-519	JS-505	Product Configuration
Capacity	2500 sh.	1200 sh.	200 sh.	System Specifications
Max. Paper Weight	271 g/m ²	271 g/m ²	271 g/m ²	Copier Specifications
Staple Mode	Corner front/back, centre 2 points,	Corner front/back, centre 2 points	no	Printer Specifications
Staple Capacity	50 sheets	50 sheets	no	Scanner Specifications
Saddle Stitch	yes	Yes (SD-505)	no	Fax Specifications
Hole Punching	Yes (PK-501)	Yes (PK-515)	no	Consumables
Half-Fold	yes	Yes (SD-505)	no	Article Numbers
Z-fold	no	no	no	Installation
3-fold	no	no	no	Maintenance
				Spare Parts
				Recommended Media
				Appendix



Maximum paper capacity of FS-519 with different configurations					Product Basic
	Total Capacity	Non-Sort / Sort / Group	Sort Staple	Saddle Staple	Product Configuration
1 st Tray	1200 sheets A4 50 to 90 g/m ²	200 sheets	200 sheets or 20 sets		System Specifications
2 nd Tray (A4 / B4 or A3)		1000 sheets	500 / 250 sheets or 50 / 25 sets		Copier Specifications
1 st Tray	900 sheets A4 50 to 90 g/m ²	200 sheets	200 sheets or 20 sets		Printer Specifications
2 nd Tray (A4 / B4 or A3)		500 / 250 sheets	500 / 250 sheets or 50 / 25 sets		Scanner Specifications
Additional Finisher Tray		200 sheets	200 sheets or 20 sets		Fax Specifications
1 st Tray	900 sheets A4 50 to 90 g/m ²	200 sheets	200 sheets or 20 sets		Consumables
2 nd Tray (A4 / B4 or A3)		500 / 250 sheets	500 / 250 sheets or 50 / 25 sets		Article Numbers
Saddle Stitch Unit					200 sheets or 20 sets
1 st Tray	800 sheets A4 50 to 90 g/m ²	200 sheets	200 sheets or 20 sets		Maintenance
2 nd Tray (A4 / B4 or A3)		200 / 100 sheets	200 / 100 or 20 / 10 sets		Spare Parts
Additional Finisher Tray		200 sheets	200 sheets or 20 sets		Recommended Media
Saddle Stitch Unit					200 sheets or 20 sets
1 st Tray	1200 sheets A4 50 to 90 g/m ²	200 sheets	200 sheets or 20 sets		
2 nd Tray (A4 / B4 or A3)		500 / 250 sheets	500 / 250 sheets or 50 / 25 sets		
Mail Bin Tray		500 sheets			
1 st Tray	1100 sheets A4 50 to 90 g/m ²	200 sheets	200 sheets or 20 sets		
2 nd Tray (A4 / B4 or A3)		200 / 100 sheets	200 / 100 sheets or 20 / 10 sets		
Additional Finisher Tray		200 sheets	200 sheets or 20 sets		
Mail Bin Tray		500 sheets			

Remark: If thicker paper (91 to 256 g/m²) or OHP, Envelops, etc. are used, capacity of the trays is reduced to 20 sheets!



Combination of FS-519 Finishing Accessories							Product Basic
	FS-519	OT-602	MT-502	SD-505	PK-515		Product Configuration
FS-519		Yes	Yes ¹⁾	Yes ¹⁾	Yes		System Specifications
OT-602	Yes		Yes	Yes	Yes		Copier Specifications
MT-502	Yes	Yes		No	Yes		Printer Specifications
SD-505	Yes	Yes	No		Yes		Scanner Specifications
PK-515	Yes	Yes	Yes	Yes			Fax Specifications
1) Either MT-502 or SD-505 can be used with FS-519							Consumables

Finishing Matrix with FS-519						Article Numbers
	FS-519	Mail Bin Tray	Punching	Stapling	Fold / Saddle Stitch	Installation
FS-519		Yes	Yes	Yes	Yes	Maintenance
Mail Bin Tray	Yes		Yes	No	No	Spare Parts
Punching	Yes	Yes		Yes	Yes	Recommended Media
Stapling	Yes	No	Yes		Yes	Appendix
Fold / Saddle Stitch	Yes	No	Yes	Yes		



Function vs. Required Accessories		Product Basic
Function	Accessories required	Product Configuration
Fax/Multiline Fax	MK-711, FK-502/ML-501	System Specifications
IC Card Authentication/Biometric Authentication	MK-711, EK-603, AU-201/AU-101	Copier Specifications
Scan to USB, USB to print	MK-711, EK-603	Printer Specifications
Enhanced Security for HDD data	SC-503 (HD-508 for C353P)	Scanner Specifications
Secure Print	HD-508 for C353P	Fax Specifications
Download and register fonts	HD-508 for C353P	Consumables
PC Fax Sending & Receiving	MK-711, FK-502	Article Numbers
Job further log-in for administrator	HD-508 for C353P	Installation
Printing sequence number/date/page	HD-508 for C353P	Maintenance
Increased account track number from 100 to 1000	HD-508 for C353P	Spare Parts
Utilize the print data for printing (Box)	HD-508 for C353P	Recommended Media
Fiery Connection (not applicable for bizhub C203)	IC-409, VI-504	Appendix
Faster creation of PDF/JPEG files	SA-501, MK-711	



Media Type/Media Size/Media Weight					Product Basic
	Multi-bypass tray	Universal tray	LCT	Duplex Unit	Product Configuration
Capacity	150 sheets (A4/80 g/m ²)	500 sheets (A4/80 g/m ²)	2500 sheets (A4/80 g/m ²)	---	System Specifications
Paper Size	A5 to 297x1200 mm (Banner)	A5 to A3+ ¹⁾ (311x457 mm)	A4 crosswise	A5 to A3+ (311x457 mm)	Copier Specifications
Paper Weight	64-271 g/m ²	64-256 g/m ²	64-256 g/m ²	64-256 g/m ²	Printer Specifications
Plain Paper	<input checked="" type="checkbox"/>	<input checked="" type="checkbox"/>	<input checked="" type="checkbox"/>	<input checked="" type="checkbox"/>	Scanner Specifications
OHP	<input checked="" type="checkbox"/>	---	---	---	Fax Specifications
Thick Paper	<input checked="" type="checkbox"/>	<input checked="" type="checkbox"/>	<input checked="" type="checkbox"/>	<input checked="" type="checkbox"/>	Consumables
Banner Paper	<input checked="" type="checkbox"/>	---	---	---	Article Numbers
Envelopes/ Postcards	<input checked="" type="checkbox"/>	---	---	---	Installation
Remark: ¹⁾ Except Tray 1. Here the max. paper size is A3.					Maintenance
					Spare Parts
					Recommended Media
					Appendix



Copy/Print Performance Simplex/Duplex (Monochrome & Color)					Product Basic
Size	Fed from....	bizhub C353/P	bizhub 253	bizhub C203	Product Configuration
A5S (lengthwise)	MFT	35.3/34.6 ppm	25.0/25.0 ppm	20.0/20.0 ppm	System Specifications
	Universal Try	35.3/34.6 ppm	25.0/25.0 ppm	20.0/20.0 ppm	Copier Specifications
	Paper Feed Cabinet/LCT	35.3/34.6 ppm	25.0/25.0 ppm	20.0/20.0 ppm	Printer Specifications
	Spec. Paper Mode Glossy Mode	12.1/12.1 ppm	12.1/12.1 ppm	12.1/12.1 ppm	Scanner Specifications
A4 (crosswise)	MFT	35.3/34.6 ppm	25.0/25.0 ppm	20.0/20.0 ppm	Fax Specifications
	Universal Try	35.3/34.6 ppm	25.0/25.0 ppm	20.0/20.0 ppm	Consumables
	Paper Feed Cabinet/LCT	35.3/34.6 ppm	25.0/25.0 ppm	20.0/20.0 ppm	Article Numbers
	Spec. Paper Mode Glossy Mode	12.1/12.1 ppm	12.1/12.1 ppm	12.1/12.1 ppm	Installation
A4S (lengthwise)	MFT	25.5/25.1 ppm	18.2/18.2 ppm	18.2/18.2 ppm	Maintenance
	Universal Try	25.5/25.1 ppm	18.2/18.2 ppm	18.2/18.2 ppm	Spare Parts
	Paper Feed Cabinet/LCT	25.5/25.1 ppm	18.2/18.2 ppm	18.2/18.2 ppm	Recommended Media
	Spec. Paper Mode Glossy Mode	8.8/8.7 ppm	8.8/8.7 ppm	8.8/8.7 ppm	Appendix
B4	MFT	20.0/13.4 ppm	14.2/9.7 ppm	14.2/9.7 ppm	
	Universal Try	20.0/13.4 ppm	14.2/9.7 ppm	14.2/9.7 ppm	
	Paper Feed Cabinet/LCT	20.0/13.4 ppm	14.2/9.7 ppm	14.2/9.7 ppm	
	Spec. Paper Mode Glossy Mode	6.8/4.7 ppm	6.8/4.7 ppm	6.8/4.7 ppm	
A3	MFT	17.7/12.4 ppm	12.5/9.0 ppm	12.5/9.0 ppm	
	Universal Try	17.7/12.4 ppm	12.5/9.0 ppm	12.5/9.0 ppm	
	Paper Feed Cabinet/LCT	17.7/12.4 ppm	12.5/9.0 ppm	12.5/9.0 ppm	
	Spec. Paper Mode Glossy Mode	6.0/4.4 ppm	6.0/4.4 ppm	6.0/4.4 ppm	

Remark: In case of LCT only A4 is possible.
 For Duplex it needs to be considered, that ppm means prints no sheets
 (12.4 ppm → 6.2 sheets printed on both sides)



Utilities		Product Basic
PageScope NetCare	Network based status control of all connected MFP's (including competitor models)	Product Configuration
PageScope Network Setup	Network based admin setup tool. Same functionality as admin area of WebConnection.	System Specifications
PageScope NDPS Gateway	Gateway to interact seamless with Netware environments.	Copier Specifications
PageScope EMS-Plug-ins	Plug-ins to integrate Konica Minolta devices into Enterprise Management Systems.	Printer Specifications
PageScope Data Administrator	Network based utility to setup EKC, User Authentication and Scan Destination.	Scanner Specifications
Log Collection Tool	Job Log Collection Tool	Fax Specifications
PageScope Direct Print	Processing print files (Tiff/PDF) directly to the MFP.	Consumables
PageScope Workware	Personal document control tool	Article Numbers
PageScope Data Administrator	Network based utility to setup EKC, User Authentication and Scan Destination.	Installation
PageScope Box Operator	Client software for user box access and file download.	Maintenance
PageScope Direct Print	Processing print files (Tiff/PDF) directly to the MFP.	Spare Parts
Print Status Notifier	Notifying the user when print job has been completed.	Recommended Media
		Appendix



Utilities cont.		Product Basic
Font Management Utility	Displaying the machine's resident fonts.	Product Configuration
Copy Protection Utility	Via Data administrator. To manage the machine-resident copy protection patterns.	System Specifications
Print Utility for Unix	Support for Unix printing	Copier Specifications
CS Remote Care	Remote Diagnosis	Printer Specifications
PageScope WebConnection	Resident on MFP – Internet Browser based status control and admin setting	Scanner Specifications
FTP Utility	Simplified FTP Server	Fax Specifications
Driver Packaging Utility	Network driver distribution by administrator	Consumables
Downloader	ICC profile upload via PS driver	Article Numbers
		Installation
		Maintenance
		Spare Parts
		Recommended Media
		Appendix



What is delivered with the machines		Product Basic
Document Feeder DF-611	No	Product Configuration
Original Cover	No	System Specifications
Imaging Unit (incl. PC-drum & Starter)	Yes (4 units)	Copier Specifications
Toner	No	Printer Specifications
Output Tray	Yes, integrated	Scanner Specifications
User Manual	Yes	Fax Specifications
Face Sheets	Yes	Consumables
Additional Manual CD	Yes	Article Numbers
Controller Driver & Software	Yes	Installation
		Maintenance
		Spare Parts
		Recommended Media
		Appendix

